

DO NOT SCALE
IF IN DOUBT, ASK

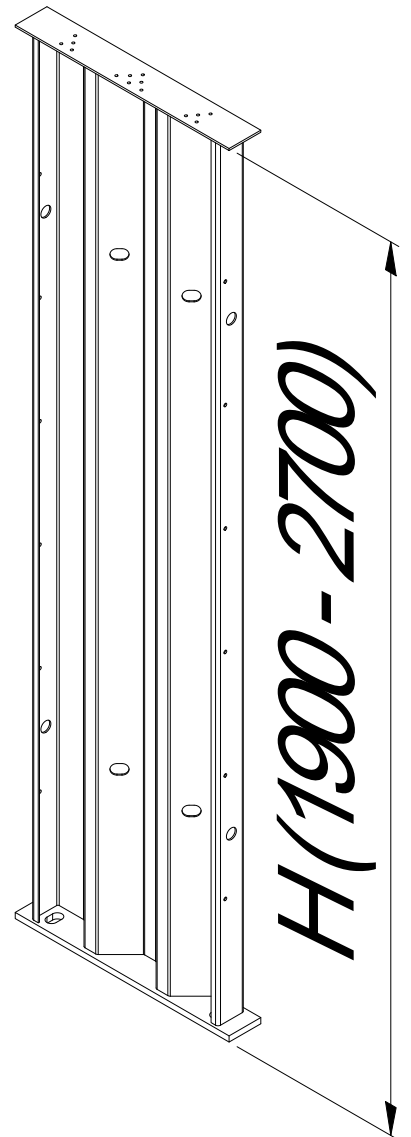
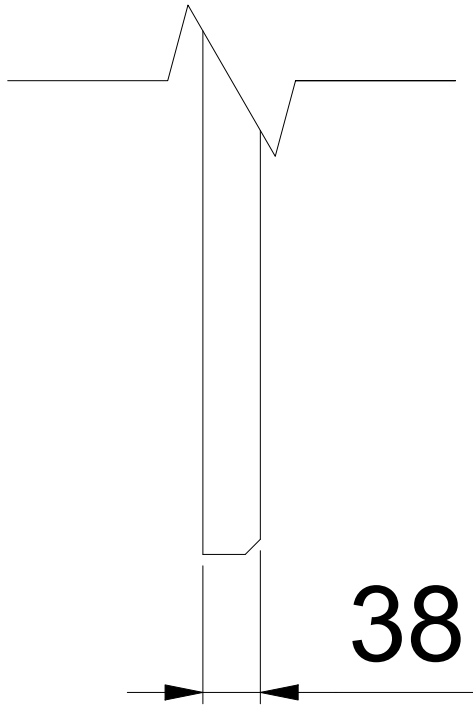
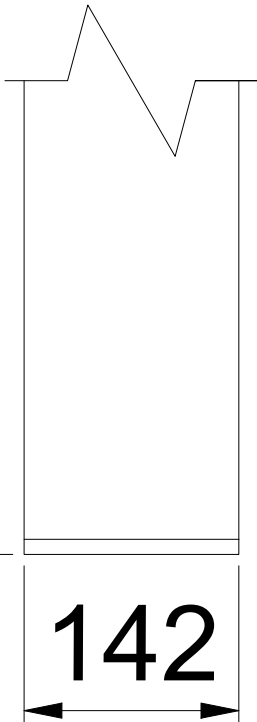
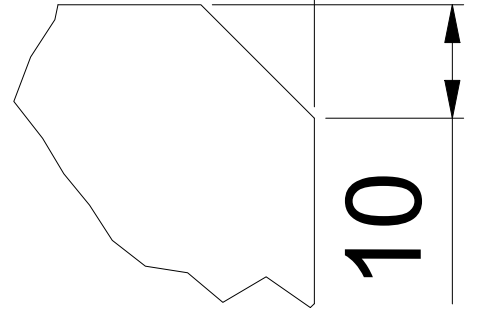
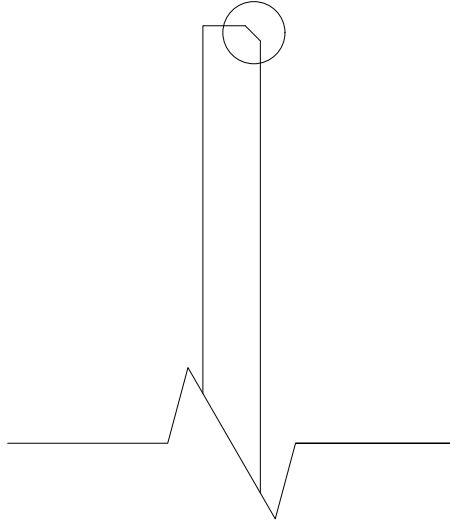
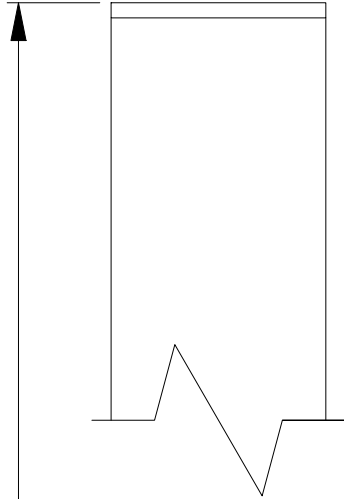
A (1.5/1)

10

10

A

L



H (1900 - 2700)

142

38

$$L = H - 25\text{mm}$$